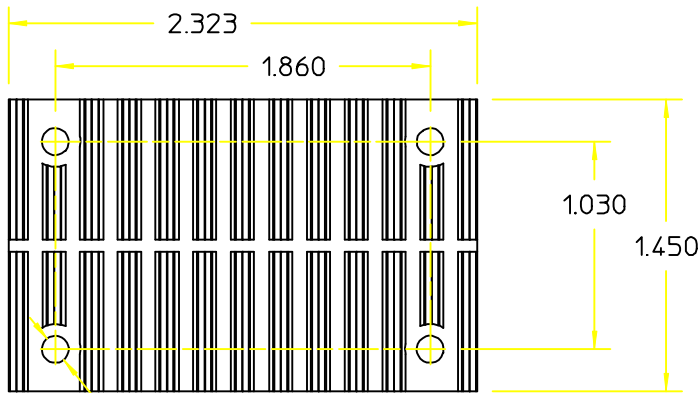
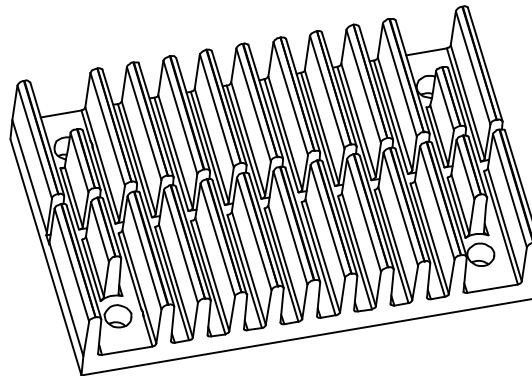
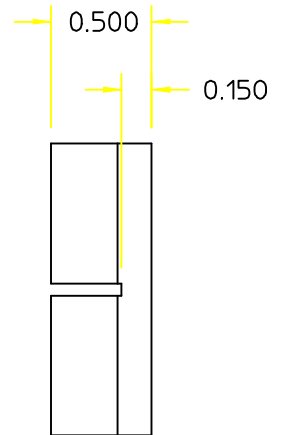


0.062 TYP.

0.076 TYP.



$\phi 0.134$ 4X



MATERIAL- BLACK ANODIZED ALUMINUM ALLOY 6063

Heat Technology, Inc.

106 Pratt's Junction Road Box 430

Sterling, MA 01564-0923

978-422-7100 Fax 978-422-7191

General@Heattechnology.com

THIS DRAWING CONTAINS PROPRIETARY INFORMATION BY HEAT TECHNOLOGY, INC AND SHALL NOT BE REDISTRIBUTED OR REPRODUCED IN ANY MANNER WITHOUT THE WRITTEN PERMISSION OF HEAT TECHNOLOGY, INC.

DRAWING NUMBER

HT 120741