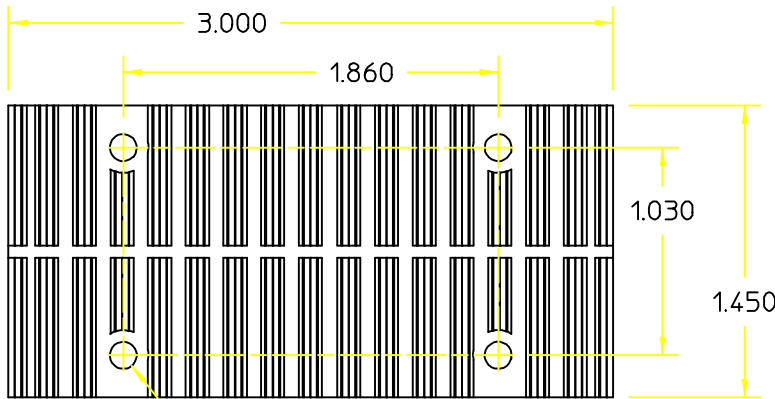
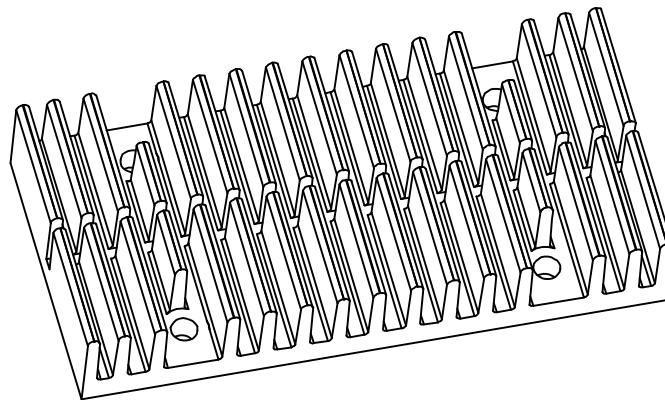
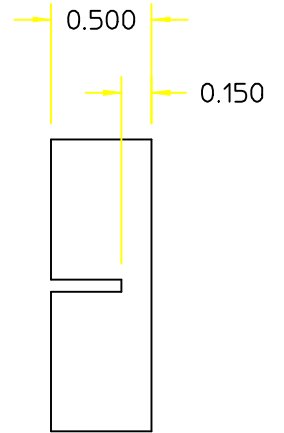


0.062 TYP.      0.062 2X  
0.076 TYP.      0.070 2X



$\phi 0.134$  4X



MATERIAL- BLACK ANODIZED ALUMINUM ALLOY 6063

**Heat Technology, Inc.**

**106 Pratt's Junction Road Box 430**

**Sterling, MA 01564-0923**

**978-422-7100 Fax 978-422-7191**

**General@Heattechnology.com**

THIS DRAWING CONTAINS PROPRIETARY INFORMATION BY HEAT TECHNOLOGY, INC AND SHALL NOT BE REDISTRIBUTED OR REPRODUCED IN ANY MANNER WITHOUT THE WRITTEN PERMISSION OF HEAT TECHNOLOGY, INC.

DRAWING NUMBER

HT 060644