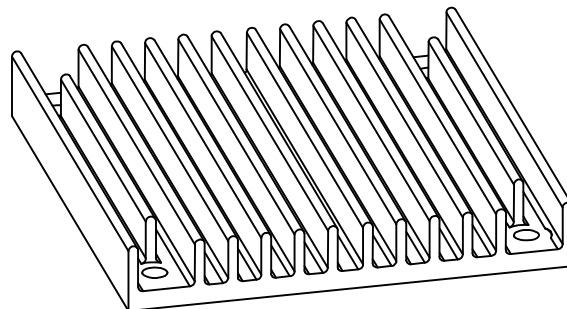


R.13 4X



MATERIAL- BLACK ANODIZED ALUMINUM ALLOY 6063

Heat Technology, Inc.

106 Pratt's Junction Road Box 430

Sterling, MA 01564-0923

978-422-7100 Fax 978-422-7191

General@Heattechnology.com

THIS DRAWING CONTAINS PROPRIETARY INFORMATION BY HEAT TECHNOLOGY, INC. AND SHALL NOT BE REDISTRIBUTED OR REPRODUCED IN ANY MANNER WITHOUT THE WRITTEN PERMISSION OF HEAT TECHNOLOGY, INC.

DRAWING NUMBER

10048

HT 031474